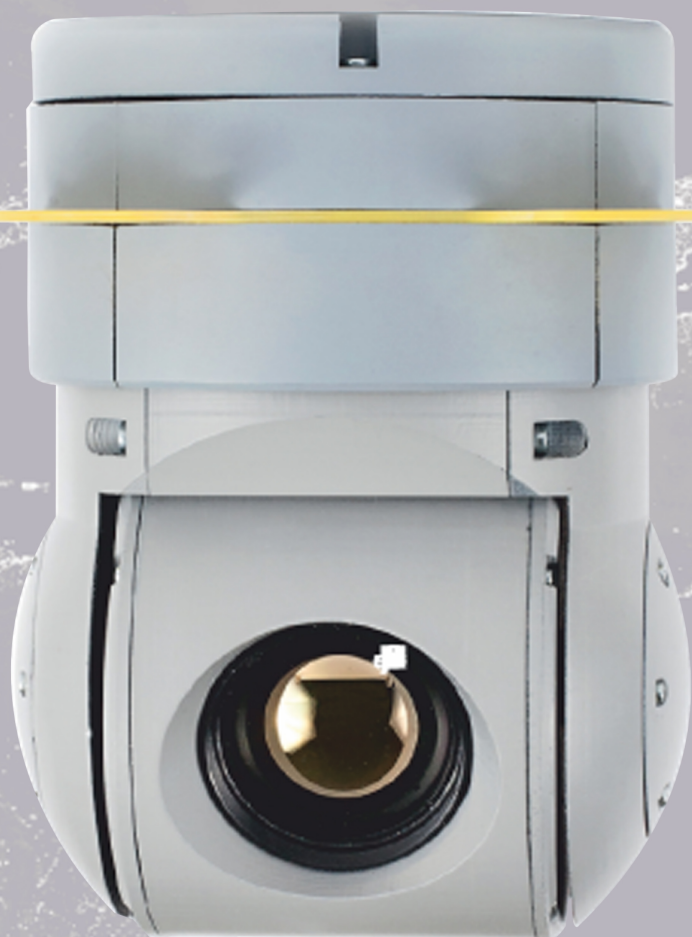


Gyro-stabilized gimbal with thermal camera



30 Hz thermal camera with a resolution of 640x480 and 4x digital zoom

High-precision positioning

Ease of use

Angles of rotation 360°

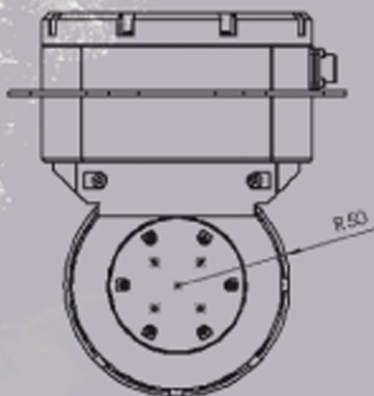
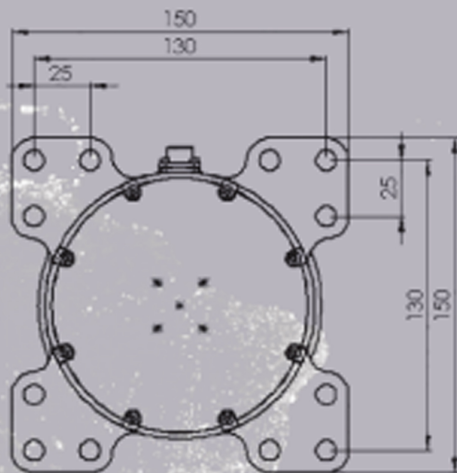
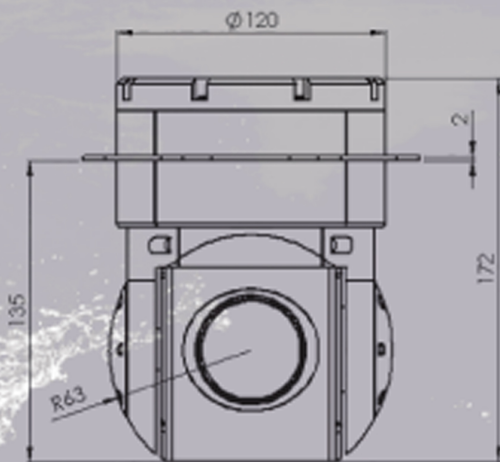
Gyro-stabilized thermal camera gimbal

The gyro-stabilized thermal imager platform is designed specifically for those who need all the functions and features of thermal imaging to detect people, animals and means of transport in conditions of reduced visibility at night. The product was invented for use on UAVs and other aircraft. Specifically in this design, all available vibration suppression mechanisms were used to ensure high image quality even at maximum zoom.

UKRSPECSYSTEMS
www.ukrspecsystems.com
Made in Ukraine



Gyro-stabilized gimbal with thermal camera



Gimbal technical characteristics

MECHANICAL PARAMETERS

Dimensions

Width: 150mm
Length: 150 mm
Height: 172 mm

Weight
820 g

Working temperature
-20 °C - + 45 °C

Angles of rotation
Vertical: 360 °
Horizontal: 360 °

ELECTRICAL PARAMETERS

Power source
12V15W

Signal control
PPM (optional
RS485, CAN)

OPTICAL PARAMETERS

Thermal camera resolution capability
640x480

Focal distance
40 mm

Thermal camera refresh rate
30 Hz

Digital zoom
1x, 2x, 4x

UKRSPECSYSTEMS
www.ukrspecsystems.com
Made in Ukraine

