

3-Axis gyro-stabilized gimbal



Day-view color camera
with 36x zoom

30 Hz thermal camera
with a resolution of
640x480 and 4x digital
zoom

3-Axis
Gyro-stabilization

Precision positioning

Easy to use

Angles of rotation
360°

3-Axis gyro-stabilized gimbal

Designed to be used on a multi-rotor UAV platforms our 3-Axis gyro-stabilized gimbal provides high level stabilization and precise control of the camera.

Sony camera with 36x optical zoom and enhanced sensitivity mode allows to see small details of the target even in low visibility conditions from the great distance.

All together this gimbal provides great possibilities for surveillance of the area while the drone can stay on the safe distance while the drone is staying on the safe distance unnoticed.

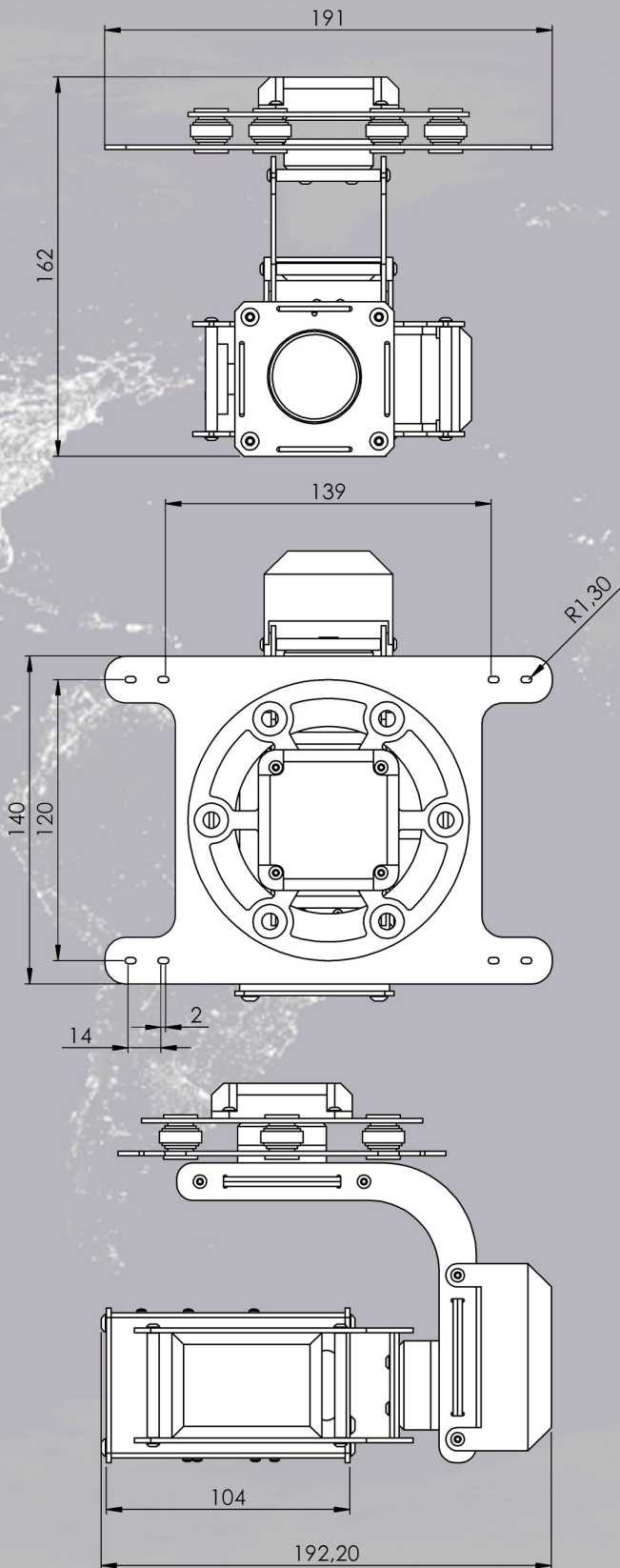
UKRSPECSYSTEMS

www.ukrspecsystems.com

Made in Ukraine



3-Axis gyro-stabilized gimbal



Specifications

Mechanical parameters

Dimensions

Width : 191 mm
Length : 175 mm
Height : 165 mm

Weight

1400 g

Working temperature

-20 °C - +45 °C

Rotation angles

Course angle 360°
Pitch angle 360°
Roll angle -45°... +45°

Electrical parameters

Power

12V 25B

Control signalst

PPM (optional RS485,
CAN)

DAY-VIEW CAMERA

Camera

SONY FCB-EX1020P

Resolution

550 TVL

Optical zoom 36x

View angle

57.8 ° (WIDE) -
1.7 ° (TELE)

Focal length

3.4 mm (WIDE) -
122.4 mm (TELE)

Effective pixels

440000

UKRSPECSYSTEMS
www.ukrspecsystems.com
Made in Ukraine

